

# IMPORTANT

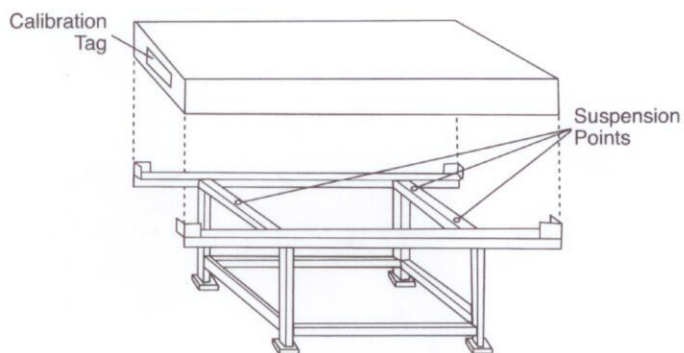
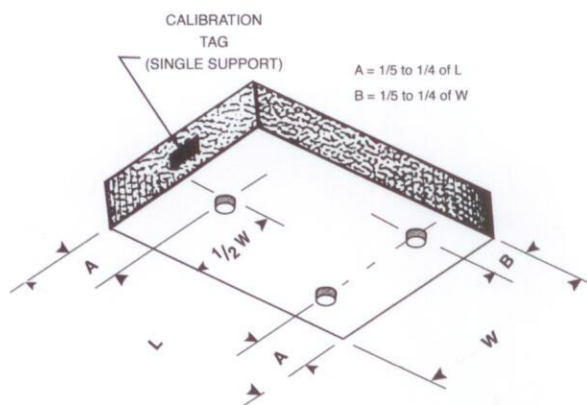
## INSTALLATION INSTRUCTIONS

FOR **PRECISION GRANITE**<sup>®</sup> SURFACE PLATES

USE SOFTENERS WHEN MOVING YOUR SURFACE PLATE. DO NOT LIFT LOAD ON BOTTOM EDGES. MUST LIFT LEVEL.

DO NOT PLACE SURFACE PLATE UNDER HEATER OR AIR CONDITIONER VENTS AS IT ALTERS THE SURFACE ACCURACY.

IT IS ESSENTIAL THAT YOUR SURFACE PLATE IS SUPPORTED ON 3 POINTS TO MINIMIZE SAG AND WARP. MATCH 3 POINT STAND TO 3 POINTS UNDER THE SURFACE PLATE. SUPPORTING THE PLATE IN ANY MANNER OTHER THAN ON ITS THREE MARKED SUSPENSION POINTS WILL VOID THE CERTIFIED ACCURACY.



Support layout for rectangular surface plate.

YOUR SURFACE PLATE MAY BE CLEANED WITH A PRECISION GRANITE CLEANER FOR SURFACE PLATES, OR SOAP AND WATER, OR ANY DETERGENT AND/OR RUBBING ON A SMALL AMOUNT OF WATERLESS LANOLIN HAND CLEANER.

PLATE MUST BE DRY BEFORE USING.

ANY WHITE OR DARK STREAKS IN YOUR GRANITE SURFACE PLATE ARE NOT DEFECTS. THESE COLORATIONS WILL NOT AFFECT YOUR ACCURACY, DURABILITY, OR HARDNESS. IT IS NATURE'S WAY OF MIXING MINERALS.

**PRECISION GRANITE**<sup>®</sup>  
WHEN YOU WANT THE BEST

ISO 9000 CERTIFIED